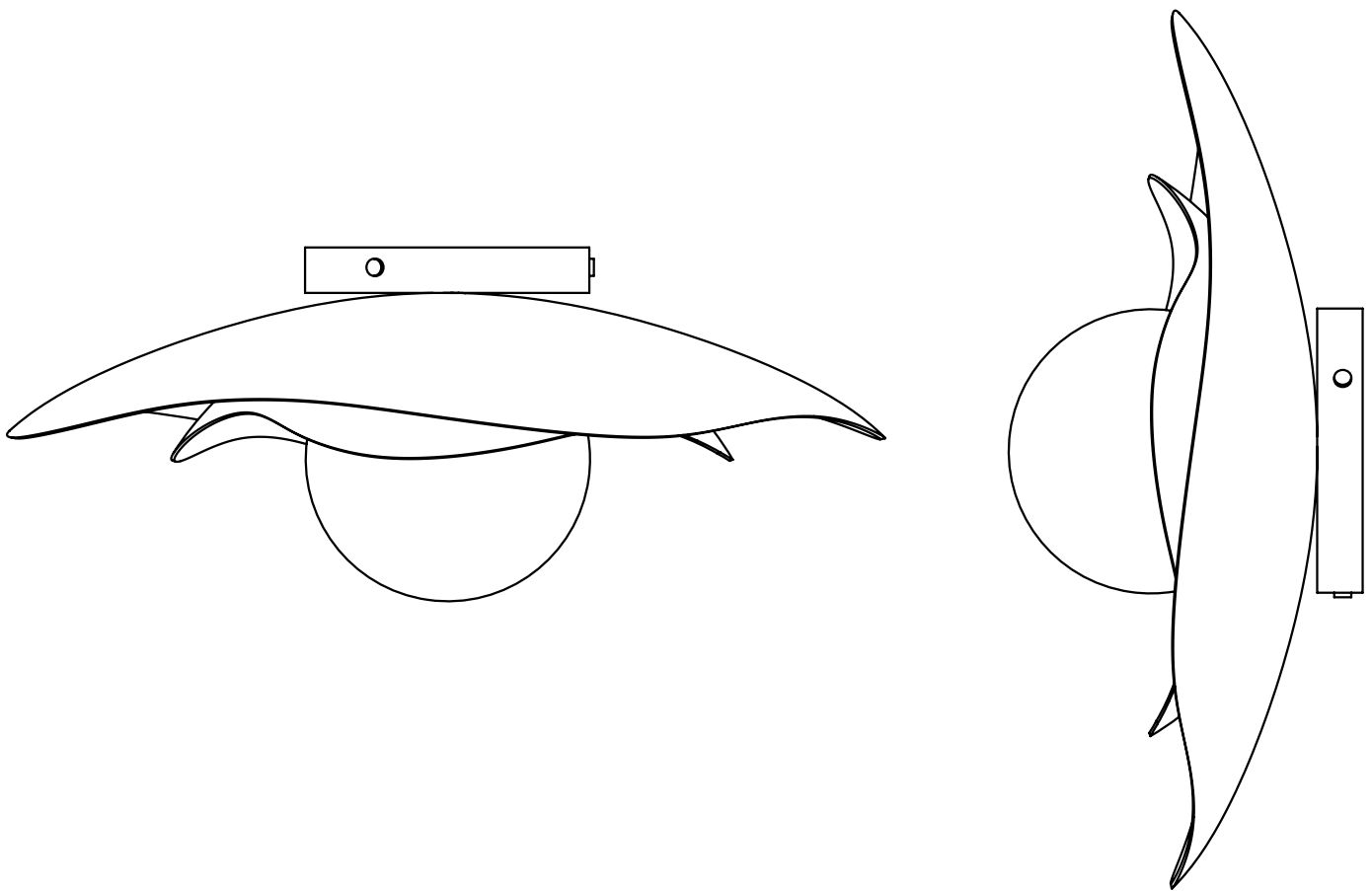


LA20/40 Light Fixture Installation Guide

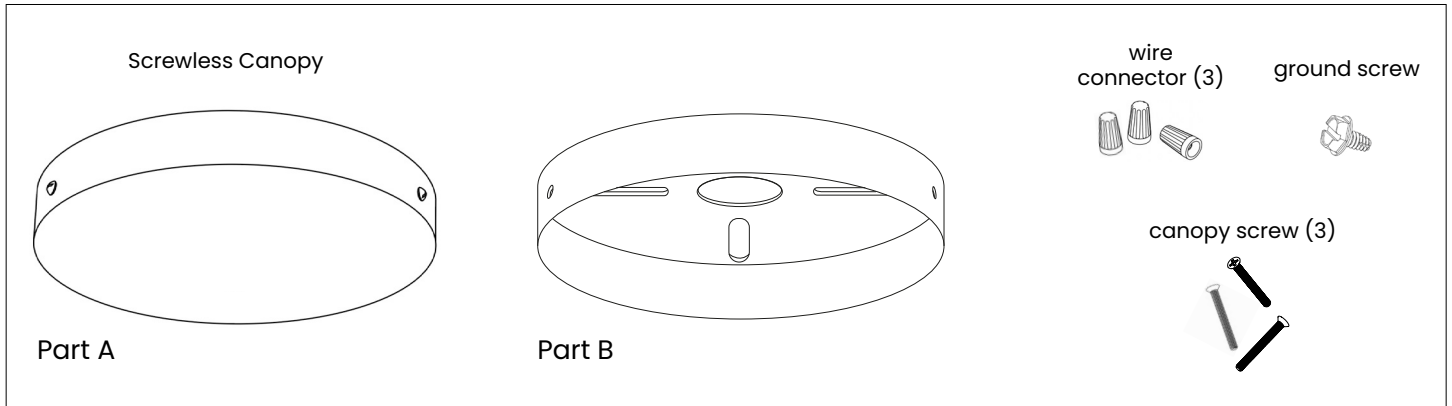


The electrical connection of the canopy must be carried out by a **certified electrician**, in accordance with the Canadian Electrical Code. *

Luminaireauthentik.com • 1122 Rue du Sud, Cowansville, QC J2K 3Y5 • (514) 662-0352



Screwless Canopy

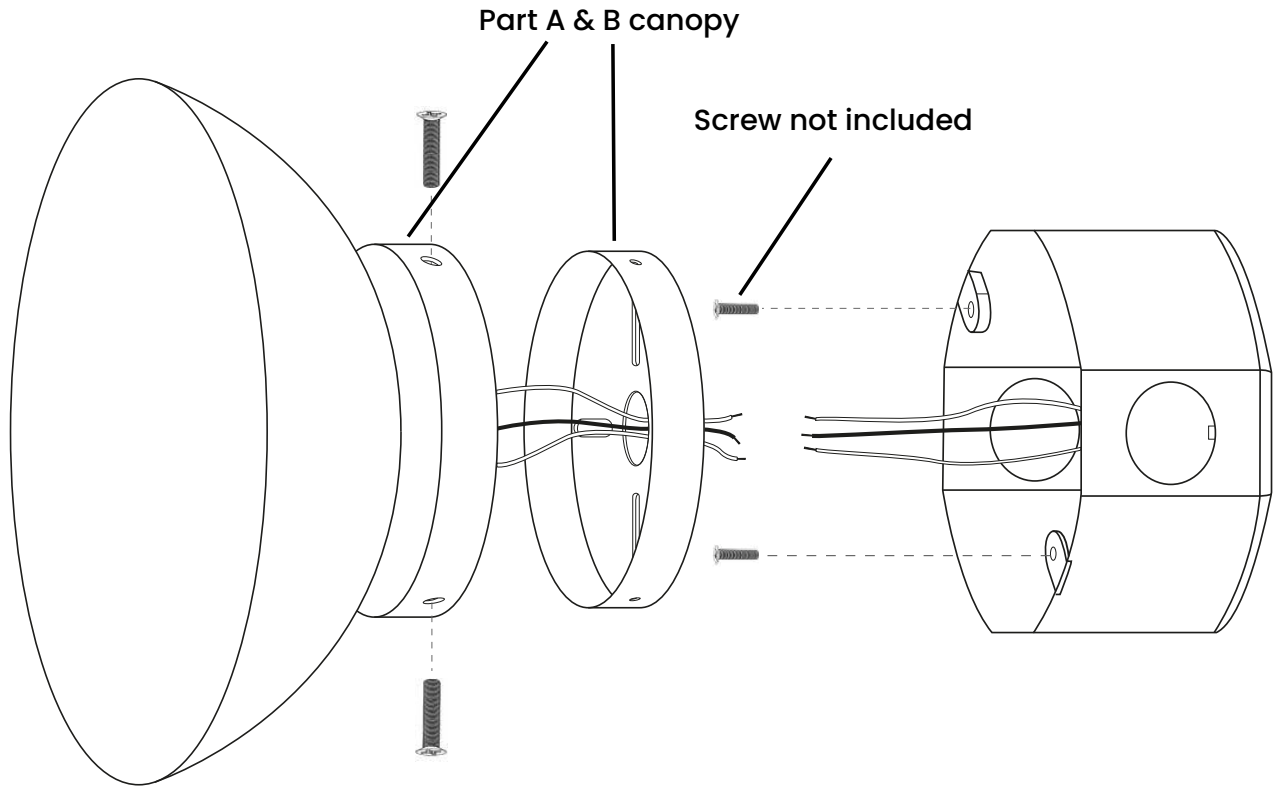


+ What you need from your toolbox



How to install your LA20/40 light fixture

Screwless Canopy



1. Secure Part B of the canopy to the junction box with screws.
2. Connect the junction box wires to the light fixture wires.
3. Attach the canopy. Align the holes of canopy Part A and B and screw into place.
4. Check stability. Ensure it is level and securely fastened.

LA

LUMINAIRE

